

cirru§creens

Nimbus Series

Installation

The screen can be wall, or ceiling mounted.

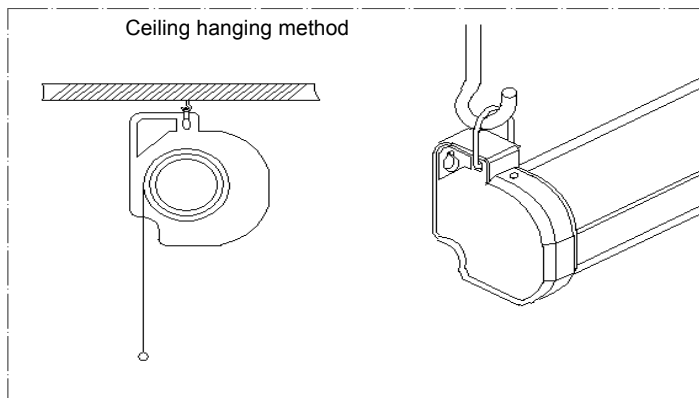
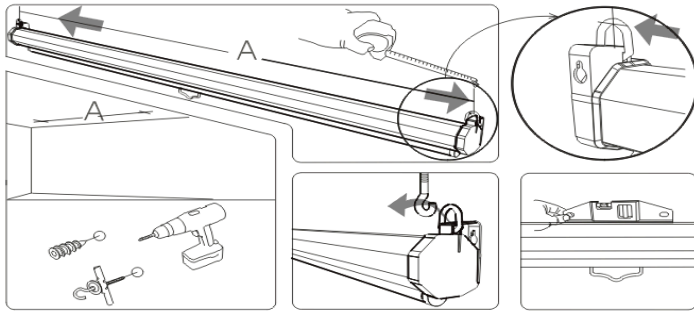
For wall, or ceiling mounting direct to wooden studs, use $\varnothing 5 \times 60$ mm wood screws.

For wall mounting or ceiling hanging on a brick, concrete or plaster surface, use $\varnothing 6 \times 60$ mm screws with screw anchors or wall plugs.

Ceiling Mounting:

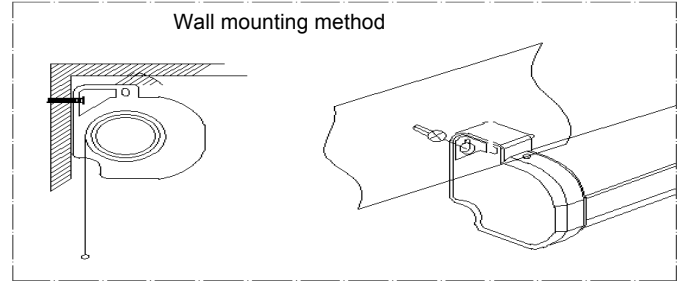
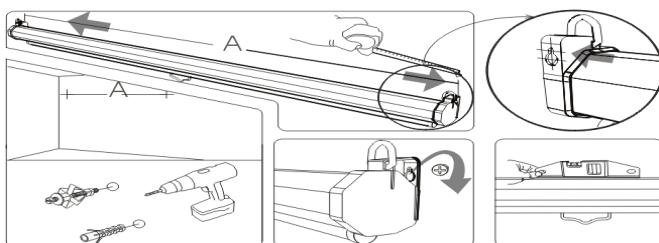
Measure the distance between D-rings, drill holes for screw hooks with the same distance apart, making sure the holes are in line with each other and parallel with the wall.

Screw the appropriate screw hooks into the holes and hang the screen by the D-rings.



Wall Mounting:

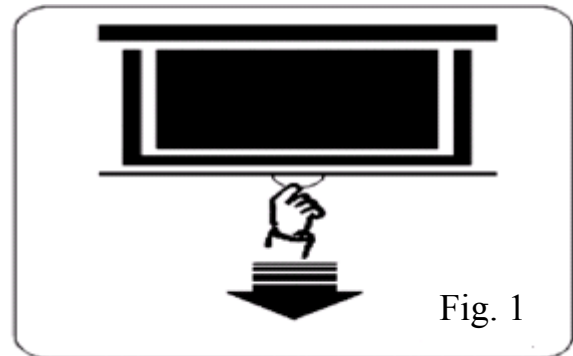
Measure the distance from the holes in the wall mounting brackets, mark out the same distance on the wall and drill holes for the screws, making sure the holes are level. Screw an appropriate screw into each hole, hang the screen from the screws with the holes in the brackets. Check the screen is evenly spaced from the wall with a level.



Screen Operation

TO LOWER THE PROJECTION SURFACE:

Pull the projection surface down to the desired length (Fig. 1); allowing the projection surface to retract a small amount will engage the locking mechanism.



TO RAISE THE PROJECTION SURFACE:

Pulling the projection surface down a small amount will disengage the locking mechanism. (Fig. 2) Once the locking mechanism has been disengaged the projection surface will be pulled back into its case.

